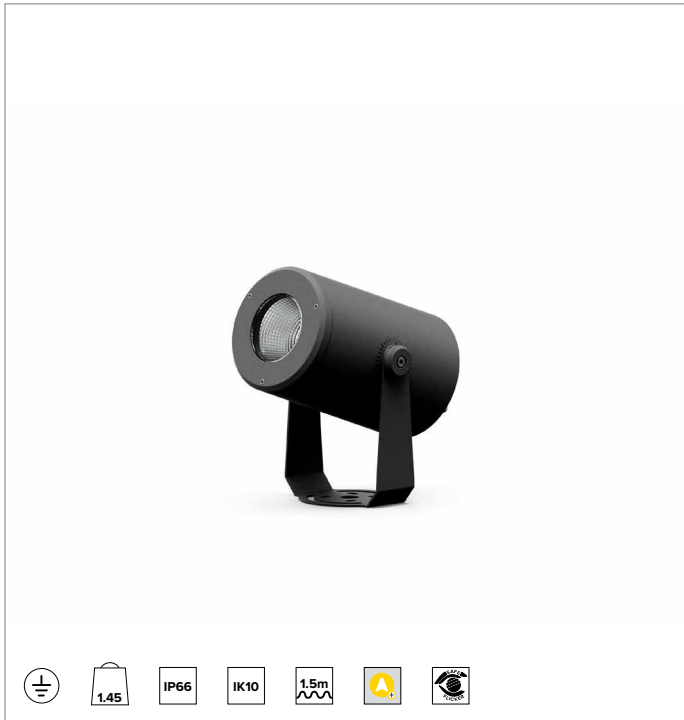
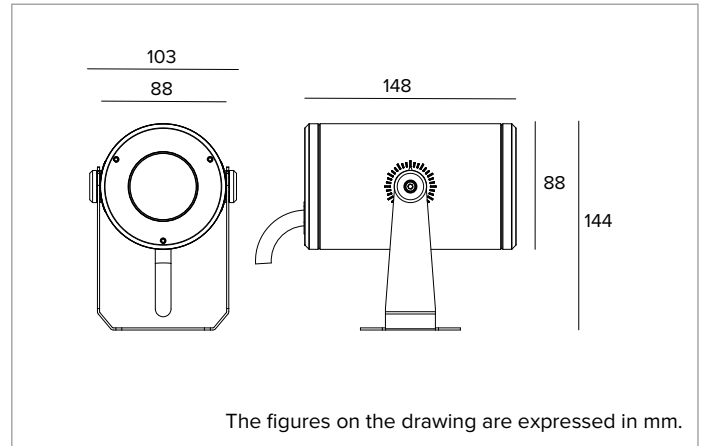


## 1E3981DA | DART Round Small Professional adjustable LED projector



	4000K	H(m)	D(m)	Emax(lx)
	Ra80		48°	
	Fixture Power	14W	1	0.89 2463
	Source Flux	1952lm	2	1.77 616
	Fixture Flux	1489lm	3	2.66 274
	Efficacy	110lm/W	4	3.55 154
TS1660	Imax=1299cd/klm	Imax	2535cd	5 4.44 99



### SOURCE

High efficiency Chip on Board LED Ra80. Ra90 version available on request.

**Energy efficiency class:** D

**Nominal power:** 11,9W

**Nominal flux:** 1952lm

**Colour rendering index:** 80

**Rf:** 81

**Rg:** 97

**CCT nominal:** 4000K

**Lifetime (L80/B10):** >50000h tq +25°C

### ILLUMINOTECHNICAL CHARACTERISTICS

MWFL version: convex faceted mirrored anodised aluminium precision optics.

**Optic:** REFLECTOR

**Beam angles:** MWFL

**Optical efficiency:** 76%

**Fixture flux:** 1489lm

**Luminous efficacy:** 110lm/W

**Photobiological safety:** Compliant with RG1 low risk group

### MECHANICAL CHARACTERISTICS

Painted die-cast anodised aluminium body and painted stainless steel mounting bracket. Tempered extra clear front glass.

**Colour and finish:** Ferrite

**Weight:** 1.45Kg

**Degree of protection:** IP66

**Mechanical Resistance:** IK10

### ELECTRICAL CHARACTERISTICS

Version with integrated dimmable DALI power supply. Precabled with a 1.5m long feeding cable H07RN-F.

**Fixture Power:** 14W

**Power supply:** 220-240Vac 50/60Hz

**Insulation Class:** CLASS 1

**Type of driver / Control:** DALI - PUSH

**Driver included:** YES

**SAFE FLICKER:** PstLM=<1 and SVM=<0.4 (IEC TR 61547-1 and IEC TR 63158), to ensure a more comfortable and safe light

**Ambient temperature:** -25°C / +35°C

### INSTALLATION

Mounting bracket with aiming adjustability. Adjustable up to ±60° on the horizontal pane and +90°/-45° on the vertical plane.

### NOTES

Casambi control system available using a dedicated accessory. Uses the "Waterblock Smart" technical solution that involves resin coating the connection cables, limiting the risk of humidity reaching the driver or the fixture. It is possible to subject the product to Cataphoresis treatment on request. 110-277Vac version available on request. Commissioning of the control system via free APP; the intervention of a specialist technician can be quoted on request.

### WARRANTY

5 years.

### WARNING

Luminaire designed for disposal/recycling at end-of-life. Replaceable (LED only) light source by a professional. Replaceable control gear by a professional.

*Due to the technological evolution of the electronic components, the data provided may be updated, and as such, confirmation must be requested during the order process.*

*Luminous flux and power supply have +/-10% tolerances with respect to the indicated value. tq +25°C (CIE 121).*

*We reserve the right to make technical changes.*

Targetti Sankey S.r.l.  
Via Pratese, 164  
50145 Firenze - Italy  
Tel: +39 055 37911  
targetti.com  
targetti@targetti.com

CCIAA Firenze  
Share Capital:  
€ 500.000,00  
VAT N. (IT):  
01537660480  
R.E.A: FI-275656

**TARGETTI**

# 1E3981DA | DART Round Small Professional adjustable LED projector

## Accessories

### Filter



Colour	Code
	<b>1E4002</b>

Blade of light filter.  
PMMA holographic filter for a blade of light effect.  
Completed with powder coated aluminum alloy holder ring.

### Grid



Colour	Code
	<b>1E4005</b>

Anti-glare louver.  
The central elements can be adjusted +/- 60° for a perfect glare control.  
Powder coated stainless steel.

### Screen



Colour	Code
	<b>1E4003</b>

Asymmetric screen.  
Powder coated stainless steel.



Colour	Code
	<b>1E4004</b>

Cylindrical screen.  
Powder coated stainless steel.  
Short version.



Colour	Code
	<b>1E4057</b>

Cylindrical screen.  
Powder coated stainless steel.  
Long version.

### Mounting System



Colour	Code
	<b>1E3015</b>

Plate for fixture rotation.  
Powder coated stainless steel.



Dimensions ØxH mm	Colour	Code
70x182		<b>1E3016</b>

Earthspike.  
Powder coated stainless steel.

Due to the technological evolution of the electronic components, the data provided may be updated, and as such, confirmation must be requested during the order process.  
Luminous flux and power supply have +/-10% tolerances with respect to the indicated value. tq +25°C (CIE 121).

We reserve the right to make technical changes.

Targetti Sankey S.r.l.  
Via Pratese, 164  
50145 Firenze - Italy  
Tel: +39 055 37911  
targetti.com  
targetti@targetti.com

CCIAA Firenze  
Share Capital:  
€ 500.000,00  
VAT N. (IT):  
01537660480  
R.E.A: FI-275656



# 1E3981DA | DART Round Small Professional adjustable LED projector

## Connector



Code

**1E2769**

Linear connection box IP66/IP68.  
5 poles max. wire section 1.5mm<sup>2</sup>.  
Cable diameter range from 7 to 12mm.

## Tool



Code

**1E3305**

Tightening wrench for the connector kit.

## Control systems



Code

**1E3048**

IP67 wireless control unit with DALI interface.  
It generates a local DALI2 bus, enabling a direct connection to a DALI interface LED driver.  
The module can only be used in a closed system and cannot be connected to an existing DALI network.  
The module is wireless controlled using a Casambi app for smartphones and tablets using Bluetooth 5.0 technology.  
The devices automatically create an adaptive, robust, and reliable wireless mesh network, allowing for the easy and efficient management of a high number of fixtures.  
The control unit is preset to the DALI 1CH profile, meaning the device can control a single DALI driver with broadcast commands.  
In addition to the DALI broadcast, other operating modes are available, such as:

- Button (normally open)
- Control unit 0/1-10V
- Control unit DALI Tunable White DT8
- Presence sensor



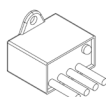
Code

**1E4369**

IP67 Extender for wireless control of LED driver with dimming DALI interface based on Casambi technology.  
It has a DALI2 output with the capacity to control up to 40 lighting fixtures.  
With the addition of a further external BUS DALI power supply it is possible to control up to 64 fixtures.  
IP67 Extender is preset to the DALI broadcast profile, meaning all the luminaires connected to it are dimmable at the same level.  
In addition to the DALI broadcast other operating modes are available, such as:

- EXTENDER DALI 8CH
- EXTENDER DALI Tunable White
- EXTENDER DALI 4CH
- EXTENDER DALI DT8 Tunable White

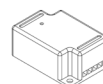
## Surge protector



Code

**A013A**

Surge protector compatible with CLASS I lighting fixtures.  
Operating voltage 230-277Vac.  
SPD type 2+3.  
Max surge protection 10kV.  
CLASS I  
IP67



Code

**A013C**

Surge protector compatible with CLASS I lighting fixtures.  
DALI, DMX, 0-10V datalines compliance.  
Operating voltage 230Vac.  
SPD type 2+3.  
Max surge protection 10kV.  
CLASS I  
IP20

Due to the technological evolution of the electronic components, the data provided may be updated, and as such, confirmation must be requested during the order process.  
Luminous flux and power supply have +/-10% tolerances with respect to the indicated value. tq +25°C (CIE 121).

We reserve the right to make technical changes.

Targetti Sankey S.r.l.  
Via Pratese, 164  
50145 Firenze - Italy  
Tel: +39 055 37911  
targetti.com  
targetti@targetti.com

CCIAA Firenze  
Share Capital:  
€ 500.000,00  
VAT N. (IT):  
01537660480  
R.E.A: FI-275656

**TARGETTI**